

# Valve Terminal Size 4, Model Tio with Field Bus Interface or Multi-Pin Plug Connector



Pressure port: G 1/4  
Working port: G 1/8

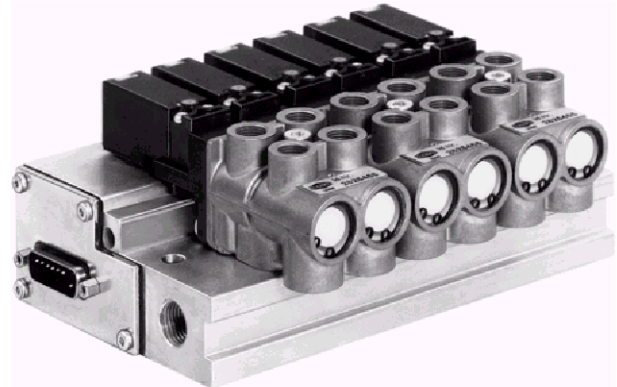
Catalog Register  
P 6

Publication 7503116.06.01.99

## Description

Valve terminal in manifold system. 4/2 directional double valves are mounted on a common base. The number of solenoids can be deliberately chosen between 4 and 32 units; it is limited, however, by the type of the multi-pin plug connector (see "Features" of valve terminal with multi-pin plug connectors IP 40/IP 65 on Page 3). Two valves each are located in one housing ("Two-in-one").

The terminal can be controlled via multi-pin plug connectors IP 40/IP 65 or an E-box (Interbus-S, Sinec L2 DP) which can be installed separately or directly attached to the terminal. Sensors or actuators can be integrated via I/O boxes or the ASI system.



Valve terminal Model Tio, with multi-pin plug connector IP 40, 6 x 4/2 directional control valves

## Features

- Valve terminal in manifold system
- Multi-pin plug connector for min. 4 and max. 32 solenoids
- Field bus interface for min. 4 and max. 32 solenoids
- 4/2 directional control function, monostable and bistable, 5/3 directional control function, in closed position with external stop-valves möglich
- Simple connection system
- Mounting position optional

## Technical data

### Electrical data

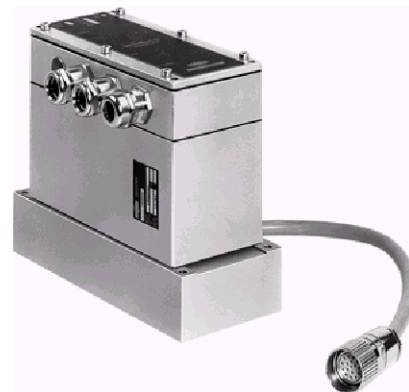
- Different bus systems
  - Interbus-S
  - Profibus DP
- Multi-pin plug connector, degree of protection IP 40 or IP 65
- 24 VDC
- Current consumption less than 2 W per valve

### Mechanical data

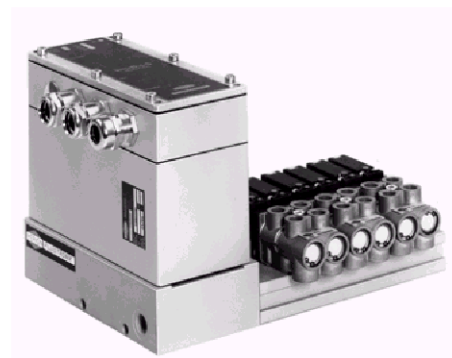
- Pressure port G 1/4
- Working port G 1/8
- Material: Valve: Zinc die casting, Zinc plated
- Manifolds: aluminium

### Pneumatic data

- Flanged valve series, 19 mm wide
- 4/2 directional control functions, monostable or bistable, 5/3 directional control functions, in closed position with external stop-valves möglich
- Pressure range from 3 to 10 bar
- Flow rate at valve terminal approx. 600 l/min
- Temperature range from -10 to +50°C
- Solenoid valve for filtered, lubricated or non lubricated air

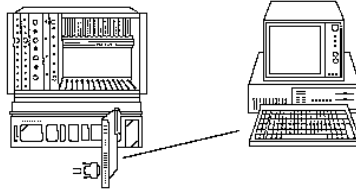


E-box installed separately







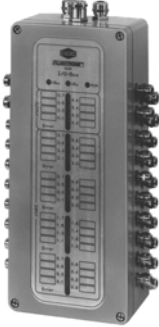


E-box for direct attachment to valve terminal

## System summary



- Computer
- SPC

Valve terminals	Control	Sensory equipment
<p><b>Size 4</b> Flow rate approx. 600 l/min Pressure range from 3 to 10 bar</p> 	<p>Multi-pin plug connectors</p> <ul style="list-style-type: none"> <li>– IP40 </li> <li>– IP65 </li> <li>– IP 65, 15- und 25polig </li> </ul> <p><b>E-box for direct attachment to valve terminal</b></p>  <p><b>E-box mounted separately</b></p>  <ul style="list-style-type: none"> <li>– Interbus-S</li> <li>– Profibus DP</li> <li>– with or without inputs/outputs</li> </ul>	<p>I/O-box with conduit-thread connector or M 12 plug-in type connectors </p> <ul style="list-style-type: none"> <li>– 8 outputs</li> <li>– 8 inputs</li> <li>– 16 inputs</li> <li>– 16 inputs, 8 outputs</li> <li>– 32 inputs, 8 outputs</li> </ul> <p>For connection of</p> <ul style="list-style-type: none"> <li>– cylinder sensors</li> <li>– light barriers</li> <li>– external valves, etc.</li> </ul> <p>barriers, etc.</p>

Further technical information available on request	Publication No.
Modular valve terminals with field bus interface or multi-pin plug connector	7503034
ISO valve terminals with field bus interface	7502947
Input / output box	7503065
I / O box for valve terminal Interbus-S	7503088
Proportional valves with field bus interface	7502952
Valve terminal size 1, with multi-pin plug connector or field bus interface	7503114
ASI valve terminal with 2 to 4 units, with multi-pin plug connector or field bus interface	7503117

# Valve terminal with multi-pin plug connector IP 40/IP 65

## Features

- Valve terminal with at least 4 solenoids (4 monostable or 2 bistable valves)  
Min. 4 solenoids  
Standard:
  - D-Sub-connector IP 40) = max. 22 solenoids
  - D-Sub connector IP 65) = max. 22 solenoids
  - 17 pin plug connector IP 65) = max. 16 solenoids
- Harting connector IP 65 = max. 32 solenoids
- Pressure port G 1/4, working port G 1/8
- Mounting position optional
- Pressure range from 3 to 10 bar
- Temperature range from -10 to +50°C



## Note

Valve terminal with multi-pin plug connector can be equipped later with separately mounted E-box (see Page 10).

Valve terminal size 4, Model Tio, with multi-pin plug connector IP 40

## Solenoid valves

- 2 each 4/2 directional control valves in double housing
- Size 4 mm
- Flow rate approx. 600 l/min
- Switching time approx. 15 ms
- Connection:
  - 2 and 4 = G 1/8
  - 1 = Flange
  - 3 = Not ducted, with silencer of sintered metal
- Attachment by means of an M5 screw
- Manual override with push button with and without detent.

## Valve functions

**5-way/3-position**  
Valve pressurized in mid-position

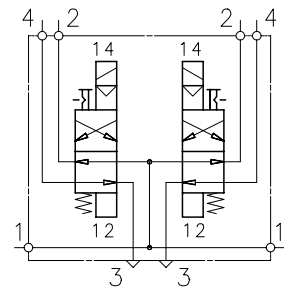
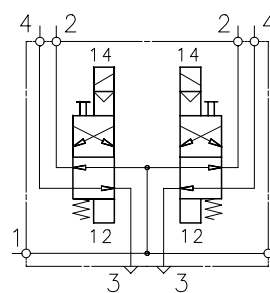
**5-way/3-position**  
Valve exhausted in mid-position

**5-way/3-position**  
Valve closed in mid-position (possible with external stop valves)

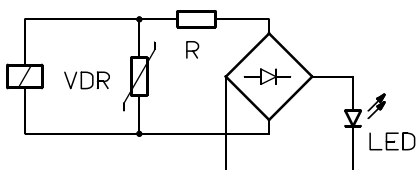
**4/2 directional control valve, bistable**

**2 each 4/2 directional control valves, monostable**

2 each 4/2 directional control valve, monostable, Manual override with and without detent



## Wiring of solenoid coils



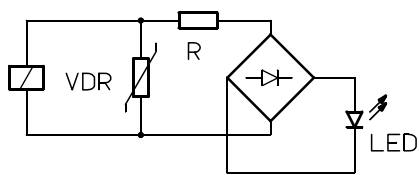
## Connection diagram of multi-pin version IP 40/IP 65

### Plug arrangement

	M		J1		J2	
Symbol						
	Multi-pin connection IP 65 for 17-pin plug connector		Multi-pin connection IP 40 for 15-pin D-SUB		Multi-pin connection IP 40 for 25-pin D-SUB	
Plug terminal	Terminal pin	Color code for cables with plug G03	Terminal pin	Color code for cables with plug H03 (L03)	Terminal pin	Color code for cables with plug K03 (P03)
1	1	white	1	white	1	white
2	2	brown	2	brown	2	brown
3	3	green	3	green	3	green
4	4	yellow	4	yellow	4	yellow
5	5	grey	5	grey	5	grey
6	6	pink	6	pink	6	pink
7	7	blue	7	blue	7	blue
8	8	red	8	red	8	red
9	9	black	9	black	9	black
10	10	violet	10	violet	10	violet
11	11	grey-pink	11	grey-pink	11	grey-pink
12	12	red-blue	12	red-blue	12	red-blue
13	13	white-green	13	white-green	13	white-green
14	14	brown-green	14	brown-green	14	brown-green
15	15	white-yellow			15	white-yellow
16	16	yellow-brown			16	yellow-brown
17					17	white-grey
18					18	grey-brown
19					19	white-pink
20					20	pink-brown
21					21	white-blue
22					22	brown-blue
23					23 unloaded	white-blue
0 Volt	17	white-grey	15	white-grey	24 PIN 1 ... 12	brown-red
					25 PIN 13 ... 22	white-black

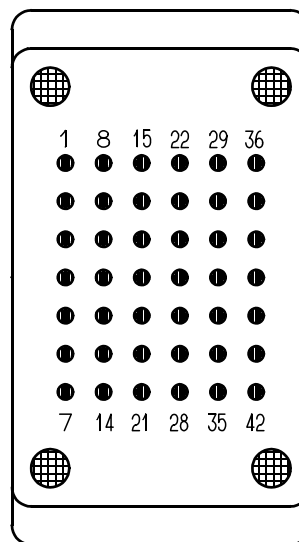
# Connection diagram for multi-pin version, IP 65

Harting plug



## Plug arrangement

Plug terminal for solenoid coil <sup>1)</sup>	Terminal pin	Core No.
1	8	8
2	1	1
3	36	36
4	29	29
5	9	9
6	2	2
7	37	37
8	30	30
9	10	10
10	3	3
11	38	38
12	31	31
13	11	11
14	4	4
15	39	39
16	32	32
17	12	12
18	5	5
19	40	40
20	33	33
21	13	13
22	6	6
23	27	27
24	20	20
25	41	16 <sup>2)</sup>
26	34	34
27	14	14
28	7	7
29	28	28
30	21	21
31	42	17 <sup>2)</sup>
32	35	35
Signal	Terminal pin	
0 volt	22, 23, 24, 25, 26	
PE	15 + housing	



View of terminal pins of plug connector installed on valve terminal

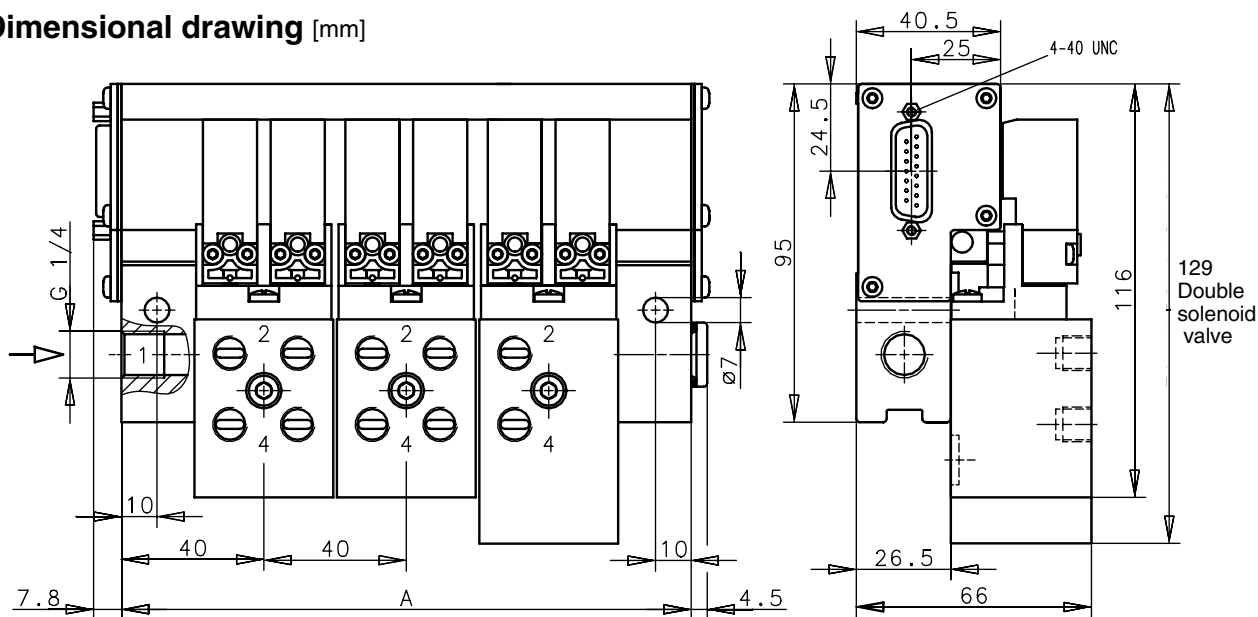
Recommended connecting cable:  
oilflex 110 41 x 0.75 mm<sup>2</sup>

<sup>1)</sup> The plug terminals on the valve terminal are counted from left to right

<sup>2)</sup> Pay attention when you connect it.

## Valve terminal with multi-pin plug connector IP 40

### Dimensional drawing [mm]



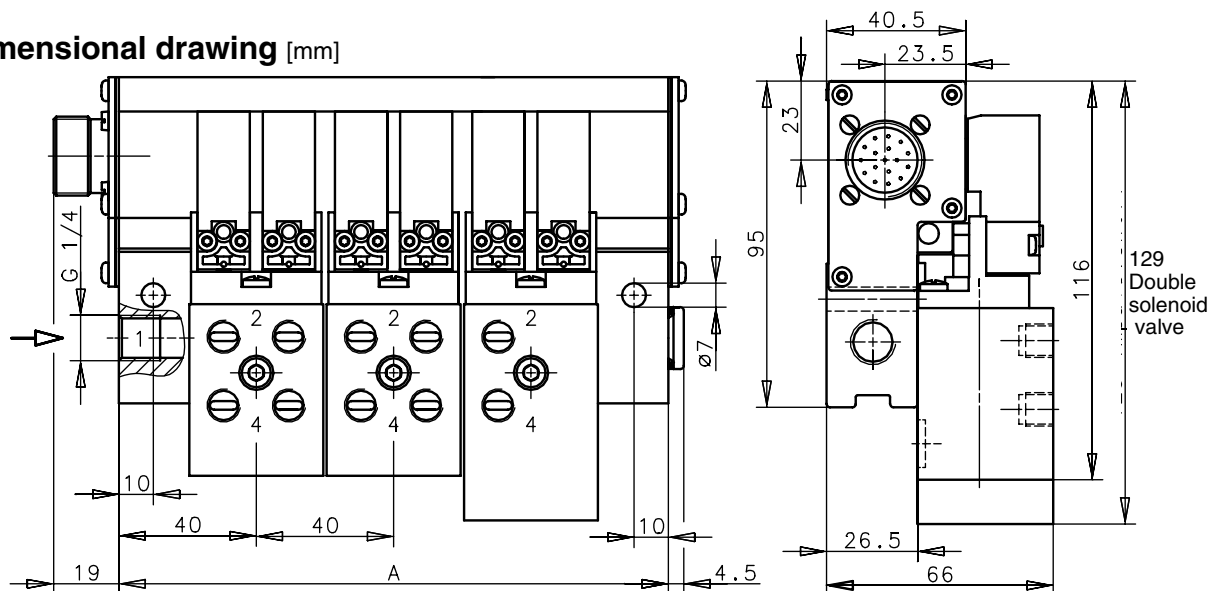
### Dimensional table [mm]

Number of plug terminals	A	D-SUB connector
4	120	15-pin
6	160	15-pin
8	200	15-pin
10	240	15-pin
12	280	15-pin

Number of plug terminals	A	D-SUB connector
14	320	15-pin
16	360	25-pin
18	400	25-pin
20	440	25-pin
22	480	25-pin

## Valve terminal with multi-pin plug connector IP 65

### Dimensional drawing [mm]



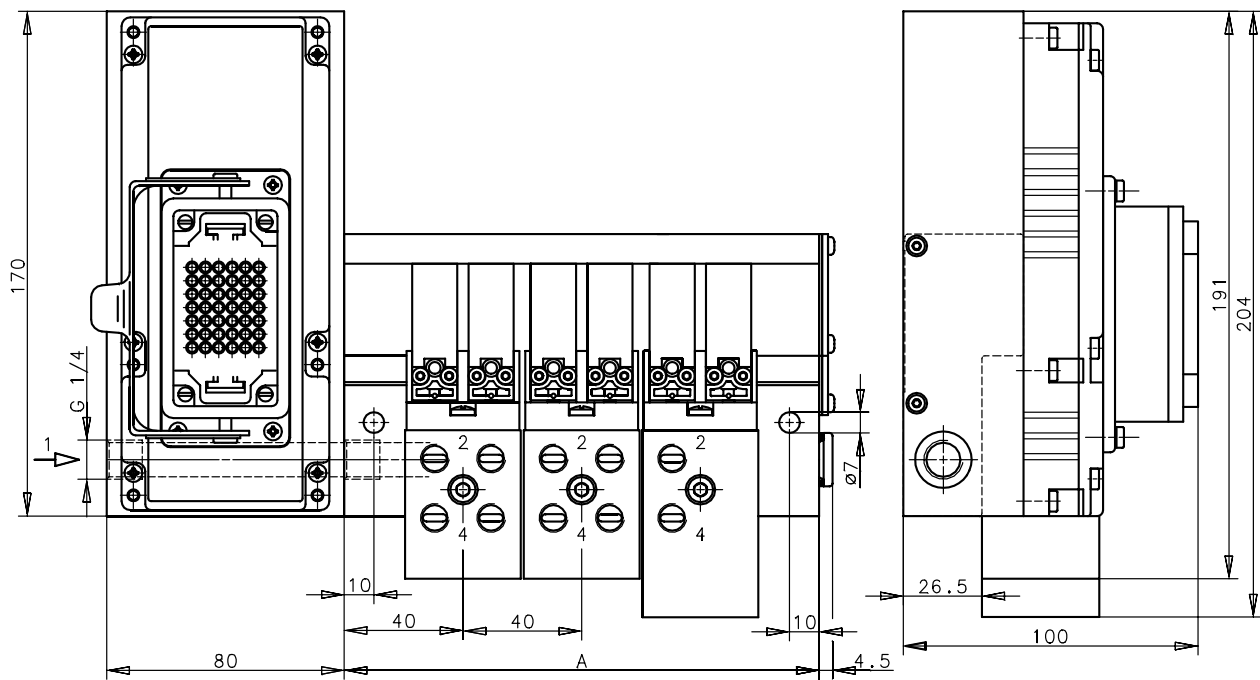
### Dimensional table [mm]

Number of plug terminals	A	Connector
4	120	17-pin
6	160	17-pin
8	200	17-pin
10	240	17-pin

Number of plug terminals	A	Connector
12	280	17-pin
14	320	17-pin
16	360	17-pin

## Valve terminal with multi-pin plug connector IP 65

### Dimensional drawing [mm]



### Dimensional table [mm]

Number of plug terminals	A	Harting plug	Weight [kg]
18	400	42-pin	5,6
20	440	42-pin	6,2
22	480	42-pin	6,8
24	520	42-pin	7,5
26	560	42-pin	8,1
28	600	42-pin	8,7
30	640	42-pin	9,3
32	680	42-pin	10

# Valve terminal Model Tio, with multi-pin plug connector, IP 40/IP 65

## Range of available functions

Valves		
Code	Symbol	Description
<b>4</b>		Two pilot operated solenoid valves in <b>one</b> double housing
<b>5</b>		Two pilot operated solenoid valves in <b>one</b> double housing  Manual override with detent
<b>1</b>		Double solenoid valve in <b>one</b> double housing
<b>7</b>		Solenoid valve pressurized in neutral position, in <b>one</b> double housing
<b>8</b>		Solenoid valve exhausted in neutral position, in <b>one</b> double housing

Valve components		
Code	Symbol	Description
<b>0</b>		Blind plate
<b>W</b>		Separator stud separating two different pressure ranges

Multipol-Anschluß		
<b>J1</b>		Multi-pin plug connector IP 40 connection 15 pin max. number of solenoids 14
<b>J2</b>		Multi-pin plug connector IP 40 connection 25 pin max. number of solenoids 22
<b>M</b>		Multi-pin plug connection Degree of protection IP 65, max. number of solenoids: 16
<b>M1</b>		42-pin plug connection Degree of protection IP 65, max. number of solenoids: 32

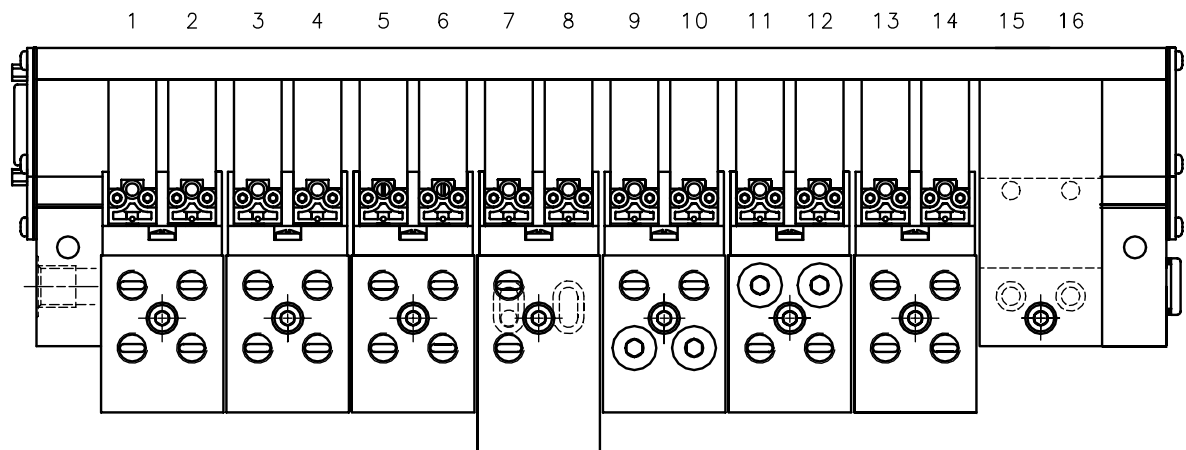
Zubehör		
Code	Symbol	Description
<b>G03</b>		17-pin-plug connector with cable 3 m long Cat. No. <b>0681443.0000.003.00</b>
<b>H03</b>		15-pin D-SUB IP 65 with cable 3 m long Cat. No. <b>0681445.0000.003.00</b>
<b>K03</b>		25-pin D-SUB IP 40 with cable 3 m long Cat. No. <b>0681447.0000.003.00</b>
<b>N03</b>		Multi-pin connector IP 65 with cable 3 m long Cat. No. <b>0681917.0000.003.00</b>
<b>L03</b>		15-pin D-SUB IP 65 with cable 3 m long Cat. No. <b>0660960.0000.003.00</b>
<b>P03</b>		25-pin D-SUB IP 65 with cable 3 m long Cat. No. <b>0660961.0000.003.00</b>

**03** corresponds to cable length 3 m, other versions on request.



# Valve terminal Model Tio, with multi-pin plug connector IP 40/IP 65

## Specification of functions Plug of terminals (valves)



### Order code

Terminal size Min. 4 valves

Terminal type	Multi-pin connector	Valve stations															
		1	2	3	4	5	6	7	8	9	10	11	12	13	14	15	16
<b>Model Tio</b>	<b>Code</b>																
Separator stud for 2 pressures (max. 1 piece)																	

Terminal size Max. 32 valves

Terminal type	Multi-pin connector	Valve stations																+ Accessories
		17	18	19	20	21	22	23	24	25	26	27	28	29	30	31	32	
<b>Model Tio</b>	<b>Code</b>																	
Separator stud for 2 pressures (max. 1 piece)																		

### Example of order

Terminal type				min. 4 valves								16 valves								+ Accessories
Terminal type	Valve stations	Standard	Multi-pin connector	Valve stations																
				1	2	3	4	5	6	7	8	9	10	11	12	13	14	15	16	
<b>Mod.Tio</b>	<b>Code</b>	<b>16</b>	<b>S</b>	<b>J2</b>	<b>4</b>		<b>4</b>	<b>5</b>		<b>1</b>		<b>7</b>		<b>8</b>		<b>4</b>		<b>0</b>		
Separator stud for 2 pressures (max. 1 piece)								<b>W</b>												

### Example for order: **Mod.Tio- 16- S - J2: 4,4,W,5,1,7,8,4, 0 + K03**

Terminal type    Number of Standard    Multi-pin    Valves stations    Accessories  
 plug terminals    connector IP 40

The data enclosed by commas represent the function of one double valve station

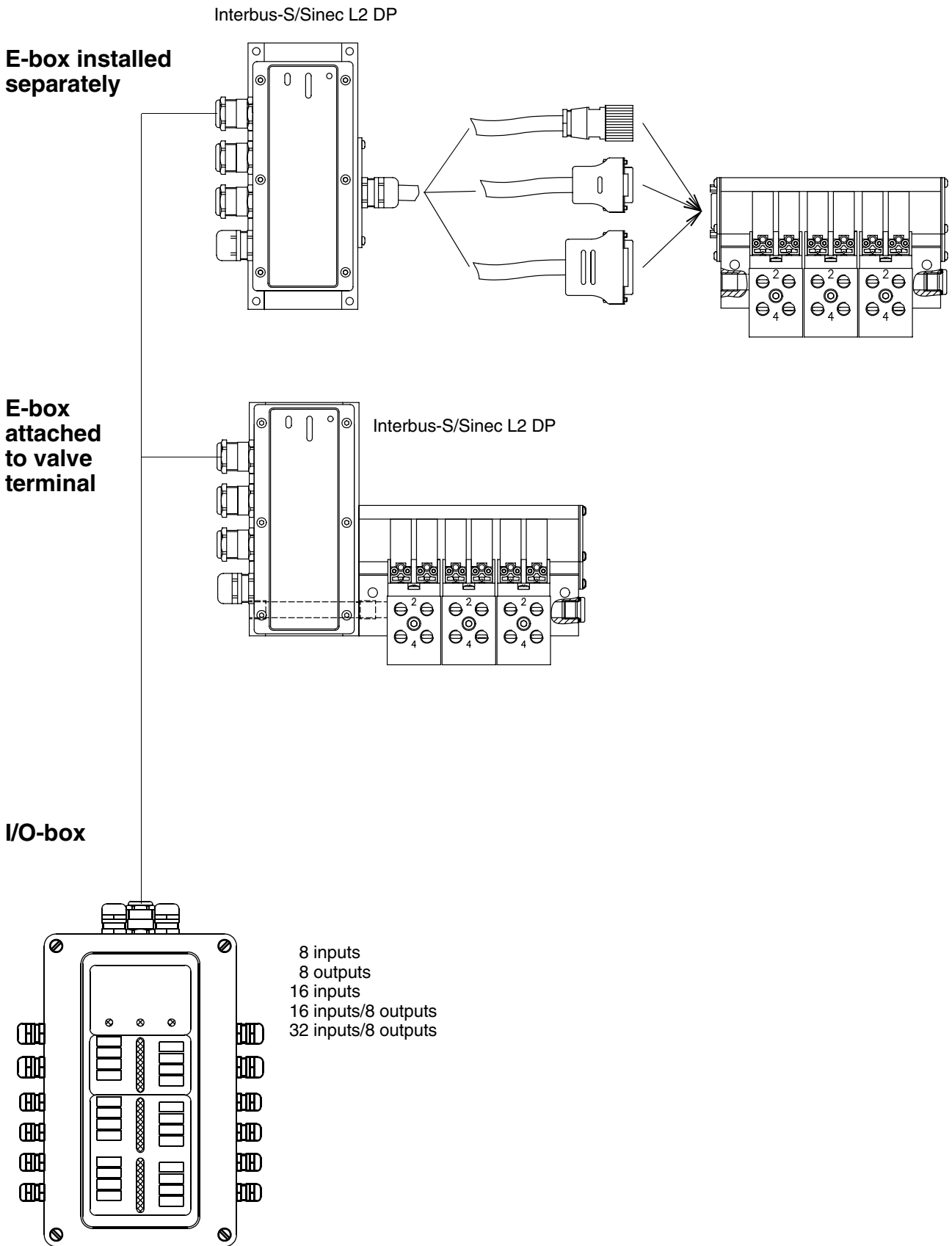
### Valve terminal Model Tio, 16 valve stations

Code	Description
<b>16</b>	Number of plug terminals
<b>S</b>	Standard
<b>J2</b>	Multi-pin connector IP 40, D-SUB 25-pin
<b>4</b>	Two solenoid valves in <b>one</b> double housing
<b>4</b>	Two solenoid valves in <b>one</b> double housing
<b>W</b>	Separator stud for two different pressure ranges
<b>5</b>	Manual override detent

Code	Description
<b>1</b>	One impulse valve in <b>one</b> double housing
<b>7</b>	valve exhausted in neutral position
<b>8</b>	valve exhausted in neutral position
<b>4</b>	Two solenoids in <b>one</b> double housing
<b>0</b>	Blind plate
<b>K03</b>	25-pin D-SUB, with cable, 3 m long

# Valve terminal Model Tio, with field bus interface

## System summary



## Valve terminal Model Tio, with field bus interface

### Features

- Valve terminal with at least 4 solenoids and max. 32 solenoids (except Field bus typ).
- Valves are shown on page 3.
- Typ of Terminal E-Box external, E-Box attached to terminal see page 10.
- Reports for Interbus-S and Profibus DP available others on request.

### Description of E-box for Interbus-S

Within the valve terminal system, the E-box represents the actual interface to the remote Interbus-S bus and remote installations bus.

The E-box includes power drivers to control the solenoid valves on the valve terminal.

The E-box can be connected to the HERION I/O-box via an additional built-in interface. The I/O-box makes it possible to interrogate proximity switches and control external actuators.



### Note

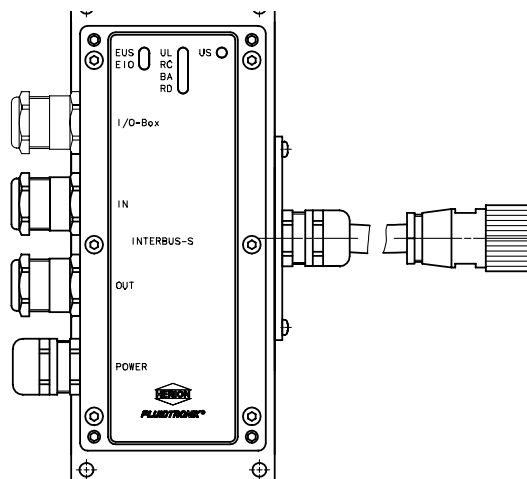
In choosing an E-box, you must take the following decisions:

- E-box with or without connection for I/O-box
- E-box for remote bus or remote installation bus
- E-box, installed separately or attached to valve terminal
- BUS-report

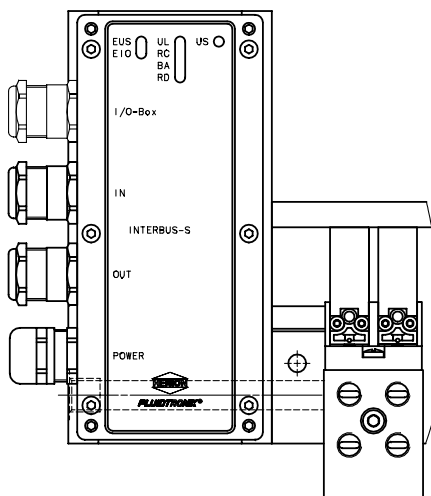
### Technical data for Interbus-S

<b>Ambient temperature range</b>	0 ... 50 [°C]
<b>Degree of protection to DIN 40050 (in installed state)</b>	IP 65
<b>Electromagnetic compatibility</b>	Acc. to IEC 801.1 up to IEC 801.4 Severity degree 3
<b>Supply voltage for bus logic</b>	18 ... 32 VDC
Residual ripple	Max. 10%
Current consumption	Max. 100 mA
<b>Supply voltage for solenoids</b>	24 VDC ± 10%
Residual ripple	Max. 10%
Current consumption (without solenoid coils)	Max. 30 mA
<b>Solenoid valve output voltage</b>	Supply voltage - 0.6 V
<b>Solenoid valve output current per solenoid coil</b>	150 mA
<b>Electric isolation</b>	Between bus power supply and bus logic
	Between bus logic and periphery
	Isolating voltage 500 VAC
<b>Bus protocol</b>	Interbus-S 2-wire remote bus
Transmission rate	500 kbit/s
Transmission medium	2 x RS 485

### E-box installed separately



### E-box attached to valve terminal



### Technical description

Valve terminal system with DP - interface see publication 7503194

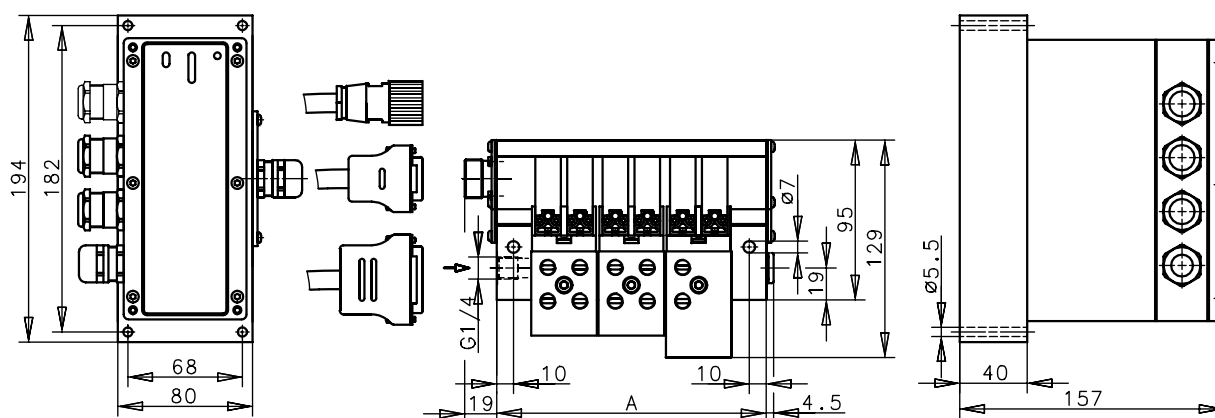
## Valve terminal Model Tio, with field bus interface

### Features

- Designs:
  - With E-box installed separately  
Connection to valve terminal by cable plug connector
  - With E-box attached to valve terminal  
with or without connection for I/O-box
- Valve unit with max. 32 outputs  
(32 solenoid pilot operated valves)
- Cable length approx. 0.25 m between separately installed E-box and valve terminal

### Valve terminal with separately installed E-box

#### Dimensional drawing [mm]



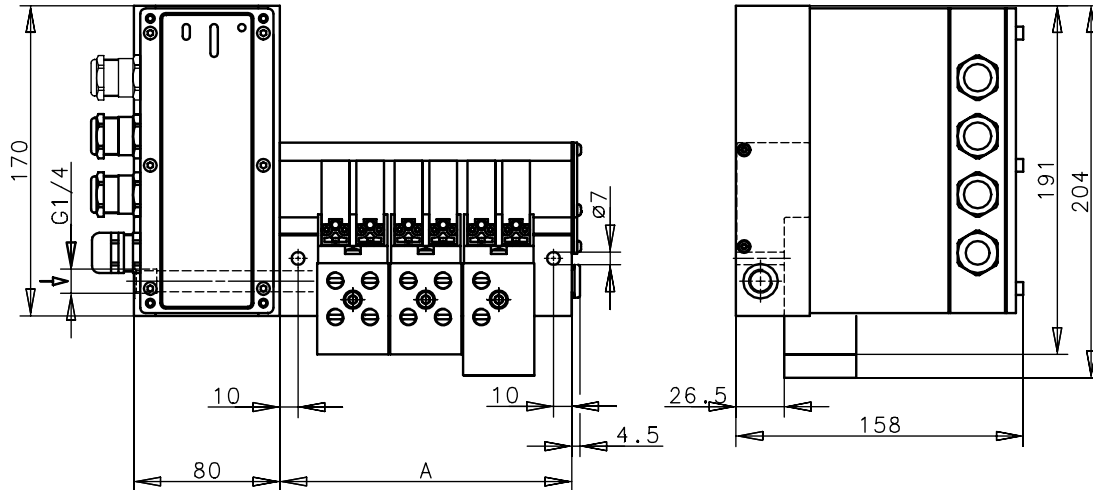
#### Dimensional table [mm]

Number of valve stations	A	Weight [kg]
4	120	2,35
6	160	2,85
8	200	3,35
10	240	3,75
12	280	4,15
14	320	4,55
16	360	5,00
18	400	5,45
20	440	6,10
22	480	6,70

## Valve terminal Model Tio, with field bus interface

### Valve terminal with attached E-box

#### Dimensional drawing [mm]



#### Dimensional table [mm]

Number of valve stations	A	Weight [kg]
4	120	2,35
6	160	2,85
8	200	3,35
10	240	3,75
12	280	4,15
14	320	4,55
16	360	5,00
18	400	5,45

Number of valve stations	A	Weight [kg]
20	440	6,1
22	480	6,7
24	520	7,4
26	560	7,9
28	600	8,5
30	640	9,0
32	680	9,5

## Valve terminal Model Tio, with field bus interface and separately installed E-Box Range of available functions

### Valves

Code	Symbol	Description
<b>4</b>		Two pilot operated solenoid valves in <b>one</b> double housing
<b>5</b>		Two pilot operated solenoid valves in <b>one</b> double housing manual override with detent
<b>1</b>		Double solenoid valve in <b>one</b> double housing
<b>7</b>		Solenoid valve pressurized in neutral position, in <b>one</b> double housing
<b>8</b>		Solenoid valve exhausted in neutral position, in <b>one</b> double housing

### Valve components

Code	Symbol	Description
<b>0</b>		Blind plate
<b>W</b>		Separator stud separating two different pressure ranges

### Valve terminal version

<b>X1</b>		Separate bus module with 17-pin plug connector Max. number of solenoids: 16
<b>X2</b>		Separate bus module with 15-pin D-SUB Max. number of solenoids: 14
<b>X3</b>		Separate bus module with 25-pin D-SUB Max. number of solenoids: 22

### Interbus-S (remote bus)

Code	Max. number of solenoids	I/O box possible or not
<b>I</b>	16 by Code X1 14 by Code X2	No
<b>IA</b>	22 by Code X3	No
<b>IB</b>	16 by Code X1 14 by Code X2	Yes
<b>IC</b>	22 by Code X3	Yes

### Interbus-S (Installation remote bus)

<b>ID</b>	16 by Code X1 14 by Code X2	No
<b>IE</b>	22 by Code X3	No
<b>IF</b>	16 by Code X1 14 by Code X2	Yes
<b>IG</b>	22 by Code X3	Yes

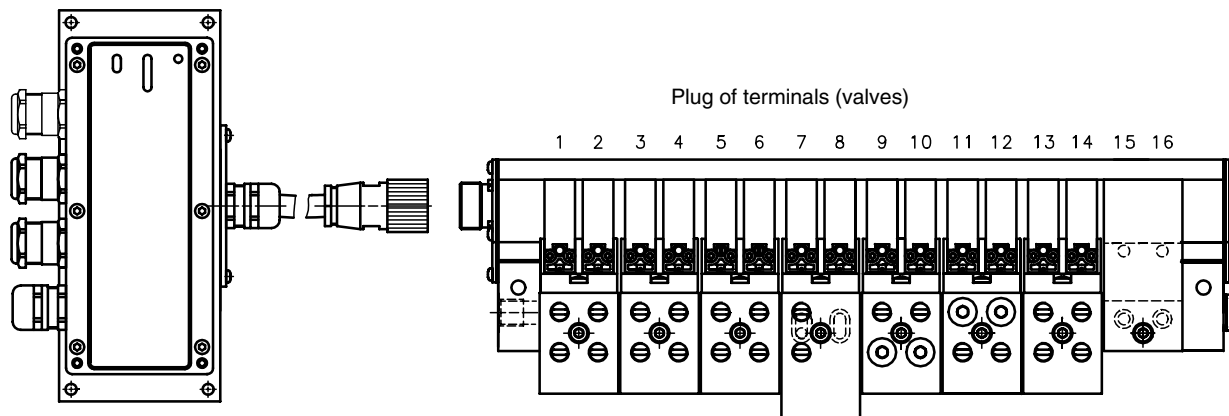
### Sinec L2 DP

<b>S</b>	16 by Code X1 14 by Code X2 22 by Code X3	No
<b>SA</b>	16 by Code X1 14 by Code X2 22 by Code X3	Yes except Cat. No. <b>5980211</b> <sup>1)</sup>

<sup>1)</sup> Part-No. for Input box see page 16

# Valve terminal Model Tio, with field bus interface and separately installed E-box

## Specification of functions



## Order code

Terminal size					Min. 4 valves															
Terminal type	Plug terminals	Standard	Field bus type	Valve Termin. version	Valve stations															
					1	2	3	4	5	6	7	8	9	10	11	12	13	14	15	16
<b>Model Tio Code</b>																				
Separator stud for two pressures (max. 1 piece)																				
Terminal size					Max. 22 valves															
Terminal type	Plug terminals	Standard	Field bus type	Valve Termin. version	Valve stations															
					17	18	19	20	21	22										
<b>Model Tio Code</b>																				
Separator stud for two pressures (max. 1 piece)																				

## Example of order

Terminal size					Min. 4 valves											16 valves				
Terminal type	Plug terminals	Standard	Field bus type	Valve Termin. version	Valve stations															
					1	2	3	4	5	6	7	8	9	10	11	12	13	14	15	16
<b>Model Tio Code</b>	<b>16</b>	<b>S</b>	<b>IA</b>	<b>X1</b>	<b>4</b>		<b>4</b>		<b>5</b>		<b>1</b>		<b>7</b>		<b>8</b>		<b>4</b>		<b>0</b>	
Separator stud for two pressures (max. 1 piece)											<b>W</b>									

**Example of order: Mod.Tio- 16- S-IA- X1: 4,4,5,W,1,7,8,4,0**

Insel type    Terminal model    Standard    Field bus type    Valve Terminal version    Valve stations

The data enclosed by commas represent the function of one double valve

### Valve terminal Model Tio, 16 valve stations

Code	Description
<b>16</b>	Number of plug terminals
<b>S</b>	Standard
<b>IA</b>	Remote bus Interbus-S
<b>X1</b>	Bus-Modul extern mit Rundsteckverbinder 17polig
<b>4</b>	Two solenoid valves in <b>one</b> double housing
<b>4</b>	Two solenoid valves in <b>one</b> double housing
<b>5</b>	Manual override with detent

Code	Description
<b>W</b>	Separator stud for two different pressure ranges
<b>1</b>	Impulse valve in <b>one</b> double housing
<b>7</b>	Valve pressurized in neutral position, in <b>one</b> double housing
<b>8</b>	Valve exhausted in neutral position, in <b>one</b> double housing
<b>4</b>	Two solenoid valves in <b>one</b> double housing
<b>0</b>	Blind plate

## Valve terminal Model Tio, with field bus interface and attached E-box Range of available functions

### Valves

Code	Symbol	Description
<b>4</b>		Two pilot operated solenoid valves in <b>one</b> double housing
<b>5</b>		Two pilot operated solenoid valves in <b>one</b> double housing manual override with detent
<b>1</b>		Double solenoid valve in <b>one</b> double housing
<b>7</b>		Solenoid valve pressurized in neutral position, in <b>one</b> double housing
<b>8</b>		Solenoid valve exhausted in neutral position, in <b>one</b> double housing

### Valve components

Code	Symbol	Description
<b>0</b>		Blind plate
<b>W</b>		Separator stud separating two different pressure ranges

### Valve terminal version

Code	Symbol	Description
<b>Y</b>		Bus module attached Max. number of valves: 32 (restriction for Field bus type)

### Interbus-S (remote bus)

Code	Max. number of solenoids	I/O box possible or not
<b>I</b>	16	No
<b>IA</b>	32	No
<b>IB</b>	16	Yes
<b>IC</b>	32	Yes

### Interbus-S (Installation remote bus)

Code	Max. number of solenoids	I/O box possible or not
<b>ID</b>	16	No
<b>IE</b>	32	No
<b>IF</b>	16	Yes
<b>IG</b>	32	Yes

### Sinec L2 DP

Code	Max. number of solenoids	I/O box possible or not
<b>S</b>	32	No
<b>SA</b>	24	Yes except Cat. No. <b>5980211</b>

### Input / Output-Box

Input / Output-Box	Cat. No.
Input box for 8 inputs	<b>5980209</b>
Input box for 16 inputs	<b>5980212</b>
Input / Output-box for 8 outputs (Valves)	<b>5980208</b>
Input / Output-box for 8 outputs, 16 inputs	<b>5980210</b>
Input / Output-box for 8 outputs, 32 inputs	<b>5980211</b>

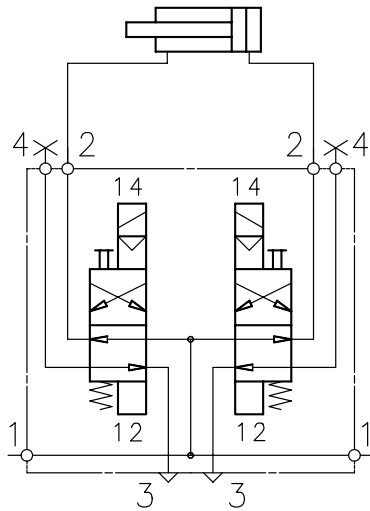




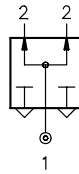
## Valve terminal Model Tio

### Range of available functions (valve selection) Example of application

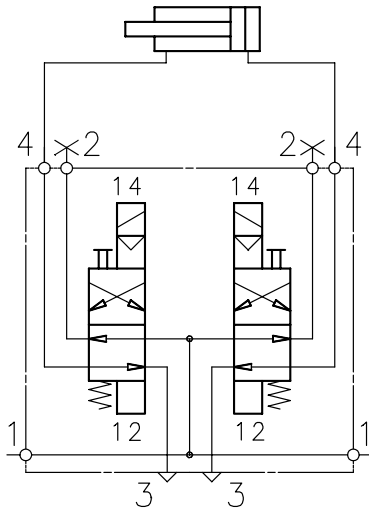
Pressurized in neutral position, in **one** double housing



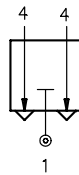
Valve in rest position



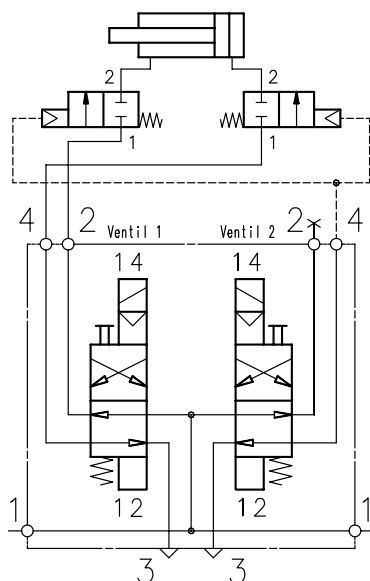
Exhausted in neutral position, in **one** double housing



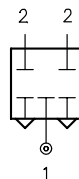
Valve in rest position



Closed in neutral position, in **one** double housing, with external stop valves



Valve in rest position



Logic:

Cylinder	a	b
Adv. (1-4)	1	1
Retr. (1-2)	0	1
Stop	0	0