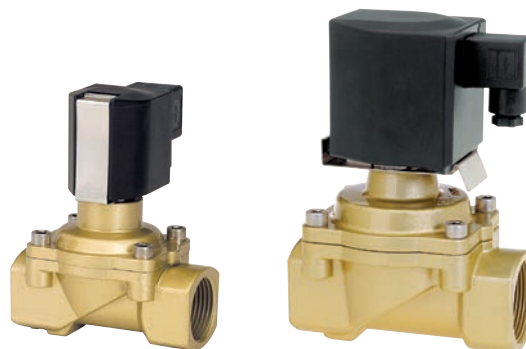


- High flow rate
- For robust industry solutions
- Damped operation
- Suitable for vacuum
- For systems with low or fluctuating pressure
- Valve operates without differential pressure
- Solenoid interchangeable without tools (*Click-on*[®]) only solenoid 915x and 940x

Click-on[®]



Technical features

Medium:
Neutral gases and liquids

Switching function:
Normally closed

Operation:
Solenoid actuated, with forced lifting

Mounting position:
Optional, preferably solenoid vertical on top

Flow direction:
Determined

Port size:
G1/4, G3/8, G1/2, G3/4, G1, G1 1/4, G1 1/2, G2
1/4 NPT, 3/8 NPT, 1/2 NPT, 3/4 NPT, 1 NPT, 1 1/4 NPT, 1 1/2 NPT, 2 NPT

Operating pressure:
See table

Fluid temperature:
-10 ... +90°C

Ambient temperature:
-10 ... +50°C

Material:
Body: Brass [CW617N]
Seat seal: NBR-K
Internal parts: Stainless steel, PVDF, Brass

For contaminated fluids insertion of a strainer is recommended.

Technical data - standard models

Symbol	Port size	Orifice (mm)	Flow kv value *1) (m ³ /h)	Operating pressure *2) (bar)	Weight (kg)	Model Solenoid in V d.c.	Model Solenoid in V a.c.
	G1/4	8	1,9	0 ... 10	0,8	8254000.9151.xxxxx	8254000.9154.xxxxx
	G1/4	8	1,9	0 ... 16 3*)	0,8	8254000.9301.xxxxx	8254000.9304.xxxxx
	1/4 NPT	8	1,9	0 ... 10	0,8	8264000.9151.xxxxx	8264000.9154.xxxxx
	1/4 NPT	8	1,9	0 ... 16 3*)	0,8	8264000.9301.xxxxx	8264000.9304.xxxxx
	G3/8	10	3	0 ... 10	0,8	8254100.9151.xxxxx	8254100.9154.xxxxx
	G3/8	10	3	0 ... 16 3*)	0,8	8254100.9301.xxxxx	8254100.9304.xxxxx
	3/8 NPT	10	3	0 ... 10	0,8	8264100.9151.xxxxx	8264100.9154.xxxxx
	3/8 NPT	10	3	0 ... 16 3*)	0,8	8264100.9301.xxxxx	8264100.9304.xxxxx
	G1/2	12	3,4	0 ... 10	0,9	8254200.9151.xxxxx	8254200.9154.xxxxx
	G1/2	12	3,4	0 ... 16 3*)	0,9	8254200.9301.xxxxx	8254200.9304.xxxxx
	1/2 NPT	12	3,4	0 ... 10	0,9	8264200.9151.xxxxx	8264200.9154.xxxxx
	1/2 NPT	12	3,4	0 ... 16 3*)	0,9	8264200.9301.xxxxx	8264200.9304.xxxxx
	G3/4	20	5,8	0 ... 10	1	8254300.9151.xxxxx	8254300.9154.xxxxx
	G3/4	20	5,8	0 ... 16 3*)	1	8254300.9301.xxxxx	8254300.9304.xxxxx
	3/4 NPT	20	5,8	0 ... 10	1	8264300.9151.xxxxx	8264300.9154.xxxxx
	3/4 NPT	20	5,8	0 ... 16 3*)	1	8264300.9301.xxxxx	8264300.9304.xxxxx
	G1	25	8	0 ... 10	1,3	8254400.9151.xxxxx	8254400.9154.xxxxx
	G1	25	8	0 ... 16 3*)	1,3	8254400.9301.xxxxx	8254400.9304.xxxxx
	1 NPT	25	8	0 ... 10	1,3	8264400.9151.xxxxx	8264400.9154.xxxxx
	1 NPT	25	8	0 ... 16 3*)	1,3	8264400.9301.xxxxx	8264400.9304.xxxxx
G 1 1/4	32	23	0 ... 16	4,3	8254500.9401.xxxxx	8254500.9404.xxxxx	
1 1/4 NPT	32	23	0 ... 16	4,3	8264500.9401.xxxxx	8264500.9404.xxxxx	
G 1 1/2	40	25	0 ... 16	4,3	8254600.9401.xxxxx	8254600.9404.xxxxx	
1 1/2 NPT	40	25	0 ... 16	4,3	8264600.9401.xxxxx	8264600.9404.xxxxx	
G2	50	41	0 ... 16	5,4	8254700.9401.xxxxx	8254700.9404.xxxxx	
2 NPT	50	41	0 ... 16	5,4	8264700.9401.xxxxx	8264700.9404.xxxxx	

xxxxx Please insert voltage and frequency codes

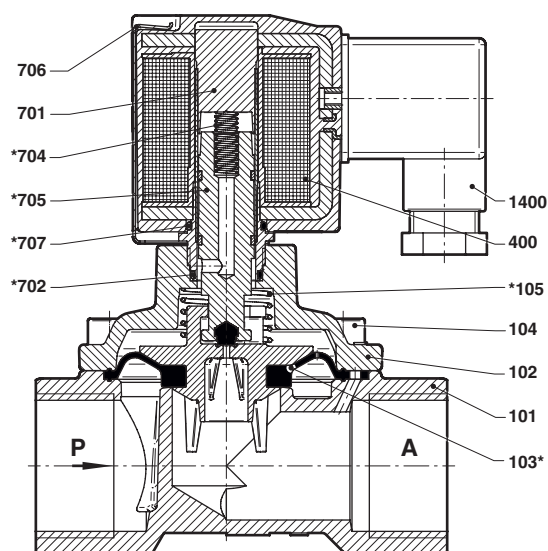
*1) Cv-value [US] ≈ kv value x 1,2

*2) For gases and liquid fluids up to 25 mm²/s [cSt]

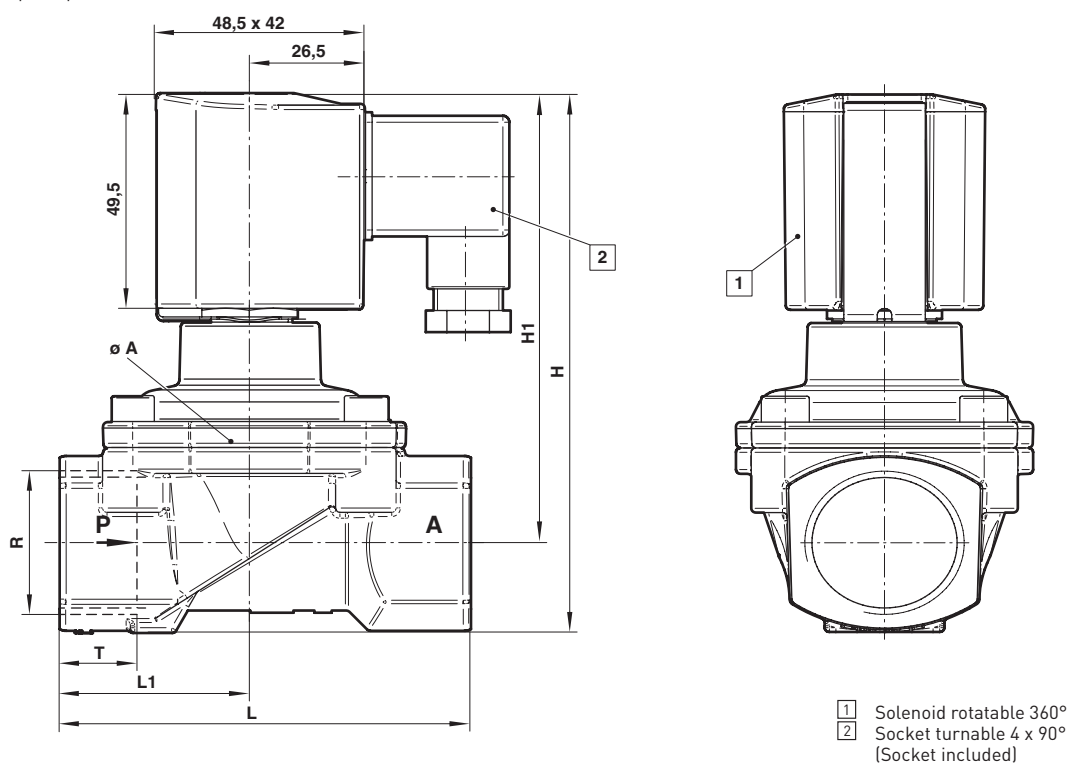
*3) For liquid mediums and an operating pressure → 10 bar is the maximum allowed differential pressure limited to 2 bar.

Section View and Dimensions
**G1/4 ... 1 with solenoid 915x (10 bar)
 1/4 ... 1 NPT with solenoid 915x (10 bar)**

No.	Description
101	Valve body
102	Valve cover
*103	Diaphragm
104	Allen head screw
*105	Pressure spring
400	Solenoid
701	Core tube
*702	O-ring
*704	Pressure spring
*705	Core
706	Spring clip
*707	O-ring
1400	Socket (included)



* These individual parts form a complete wearing unit.
 When ordering spare parts please state Model No. and Series No.



- 1 Solenoid rotatable 360°
- 2 Socket turnable 4 x 90°
[Socket included]

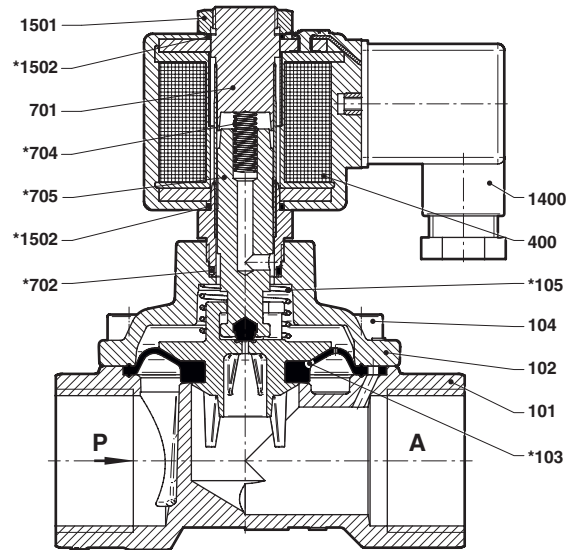
Port size R	ø A *1)	H	H1	L	L1	T	Model
G1/4	44	104	92,5	60	27,5	12	8254000.915x.xxxxx
1/4 NPT	44	104	92,5	60	27,5	10	8264000.915x.xxxxx
G3/8	44	104	92,5	60	27,5	12	8254100.915x.xxxxx
3/8 NPT	44	104	92,5	60	27,5	10,5	8264100.915x.xxxxx
G1/2	44	108	94,5	67	31	14	8254200.915x.xxxxx
1/2 NPT	44	108	94,5	67	31	13,5	8264200.915x.xxxxx
G3/4	50	115	99	80	36,5	16	8254300.915x.xxxxx
3/4 NPT	50	115	99	80	36,5	14	8264300.915x.xxxxx
G1	62	124	103,5	95	44	18	8254400.915x.xxxxx
1 NPT	62	124	103,5	95	44	17	8264400.915x.xxxxx

*1) ø A = max. depth

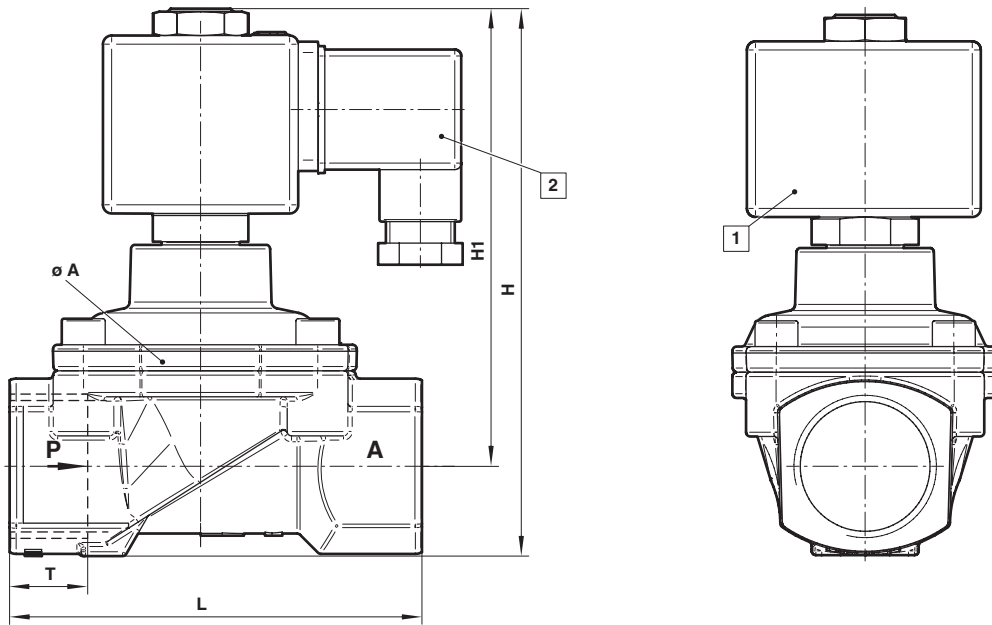
Section View and Dimensions

G1/4 ... 1 with solenoid 930x (16 bar)
 1/4 ... 1 NPT with solenoid 930x (16 bar)

No.	Description
101	Valve body
102	Valve cover
*103	Diaphragm
104	Allen head screw
*105	Pressure spring
400	Solenoid
701	Core tube
*702	O-ring
*704	Pressure spring
*705	Core
1400	Socket (included)
1501	Special hexagon nut
*1502	O-ring (2x)



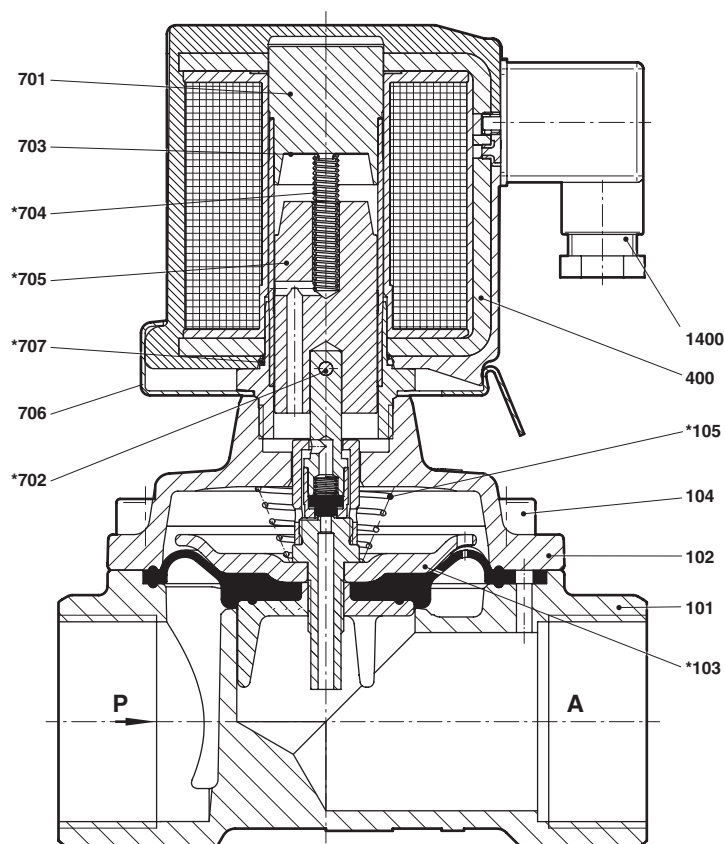
* These individual parts form a complete wearing unit.
 When ordering spare parts please state Model No. and Series No.



- 1 Solenoid rotatable 360°
- 2 Socket turnable 4 x 90°
[Socket included]

Port size R	ø A *1)	H	H1	L	T	Model
G1/4	44	108	96	60	12	8254000.930x.xxxxx
1/4 NPT	44	108	96	60	10	8264000.930x.xxxxx
G3/8	44	108	96	60	12	8254100.930x.xxxxx
3/8 NPT	44	108	96	60	10,5	8264100.930x.xxxxx
G1/2	44	110	96	67	14	8254200.930x.xxxxx
1/2 NPT	44	110	96	67	13,5	8264200.930x.xxxxx
G3/4	50	117	100	80	12,5	8254300.930x.xxxxx
3/4 NPT	50	117	100	80	14	8264300.930x.xxxxx
G1	62	126	105	95	14	8254400.930x.xxxxx
1 NPT	62	126	105	95	17	8264400.930x.xxxxx

*1) ø A = max. depth

Section View
G1 1/4 ... 1 with solenoid 940x (16 bar)
1 1/4 ... 1 NPT with solenoid 940x (16 bar)


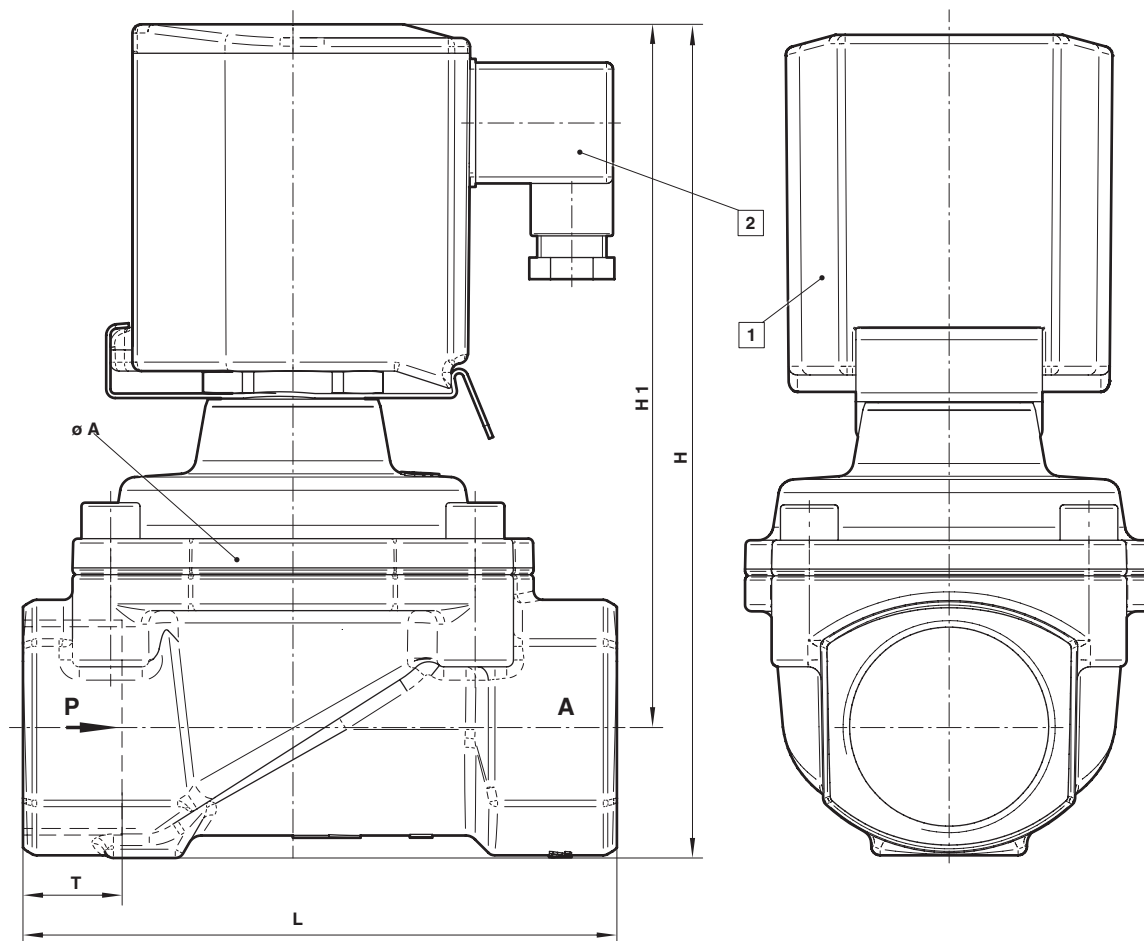
No.	Description
101	Valve body
102	Valve cover
*103	Diaphragm
104	Allen head screw
*105	Pressure spring
400	Solenoid
701	Core tube
*702	O-ring
703	Round plate
*704	Pressure spring
*705	Core
706	Spring clip
*707	O-ring
1400	Socket (included)

* These individual parts form a complete wearing unit.

When ordering spare parts please state Model No. and Series No.

Dimensions

G1 1/4 ... 1 with solenoid 940x (16 bar)
1 1/4 ... 1 NPT with solenoid 940x (16 bar)



- 1 Solenoid rotatable 360°
- 2 Socket turnable 4 x 90° (Socket included)

Port size R	ø A *1)	H	H1	L	T	Model
G1 1/4	92	186	157	132	20	8254500.940x.xxxxx
1 1/4 NPT	92	186	157	132	17	8264500.940x.xxxxx
G1 1/2	92	186	157	132	22	8254600.940x.xxxxx
1 1/2 NPT	92	186	157	132	17	8264600.940x.xxxxx
G2	109	201,5	167	160	24	8254700.940x.xxxxx
2 NPT	109	201,5	167	160	17,5	8264700.940x.xxxxx

*1) ø A = max. depth

Note to Pressure Equipment Directive (PED):

The valves of this series, including the connection size DN 25 (G 1), are according to Art. 3 § 3 of the Pressure Equipment Directive (PED) 97/23/EG. This means interpretation and production are in accordance to engineers practice wellknown in the member countries.

The CE-sign at the valve refers not to the PED. Thus the declaration of conformity is not longer applicable for this directive.

For valves > DN 25 (G 1) Art. 3 § (1) No.1.4 applies.

The basic requirements of the Enclosure I of the PED must be fulfilled. The CE-sign at the valve includes the PED. A certificate of conformity of this directive will be available on request.

Note to Electromagnetic Compatibility Guideline (EEC):

The valves shall be provided with an electrical circuit which ensures the limits of the harmonised standards EN 61000-6-3 and EN 61000-6-1 are observed, and hence the requirements of the Electromagnetic Compatibility Guideline (2004/108/EG) satisfield.