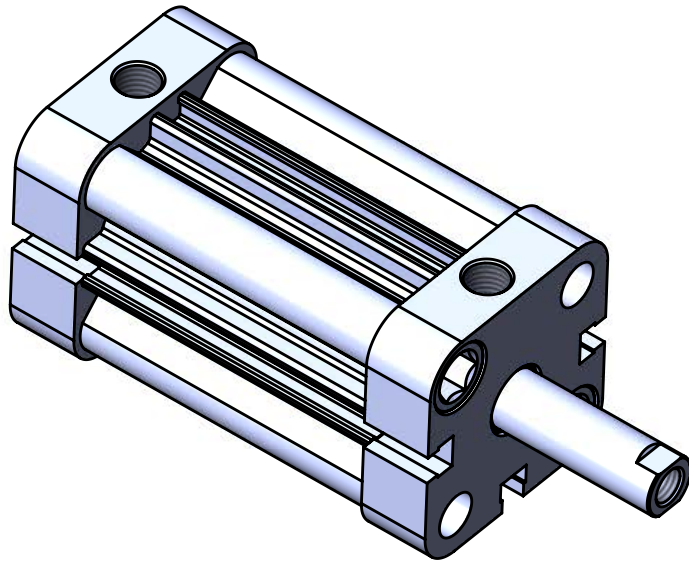
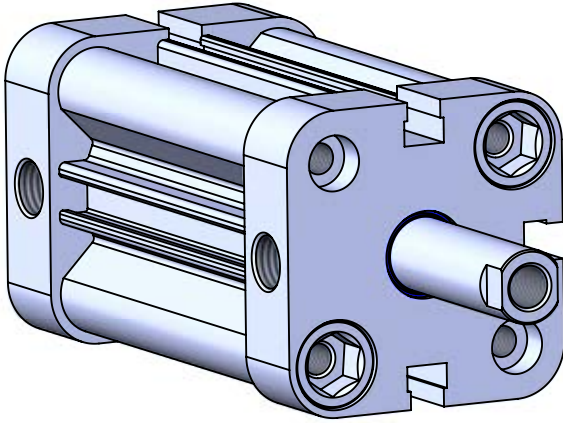


**COMPACT ISO 21287
PNEUMATIC CYLINDERS
KCE-A SERIES Ø32- Ø100**





KCE-A SERIES

COMPACT - Ø32 - Ø100 - ISO 21287

COMPACT CYLINDER
WITH MAGNET AND REAR SPRING

WITH SINGLE ACTING USAGE
PROVIDES MINIMUM AIR
CONSUMPTION AND EQUIPMENT
COSTS



KCE: COMPACT CYLINDERS WITH
SINGLE ACTING
(SPRINGED FROM BACK)



KCE-A: MAGNETIC COMPACT
CYLINDERS WITH SINGLE ACTING
(SPRINGED FROM BACK)

Example of order:

KCE-A

Product code

032-025

Cylinder Ø Stroke

M3

Variants from
Standard System

Variants from standart system:

R1 : Stainless Steel Piston Rod (SS 304-SS 316)

R4 : Stainless Steel Nut for Piston Rod (SS 304)

R5: Piston Rod as CK45 (Hard Chrome Plated)

M1: Extended male Piston Rod Thread

M3: Special Piston Rod Thread

M4: Extended Piston Rod

K1: Seals for Max. 150°C (Viton)

K4: Piston Rod Seal Viton

Force:

Cylinder Ø mm	Rod Ø mm	Thrust and traction forces (6 Bar)	
		Thrust forces (N)	Traction force (N)
32	12	16	384
40	12	23	642
50	16	30	1002
63	16	35	1682
80	20	60	2715
100	20	100	4332

Working Fluid:

Filtered and lubricated or filtered and
not lubricated air.

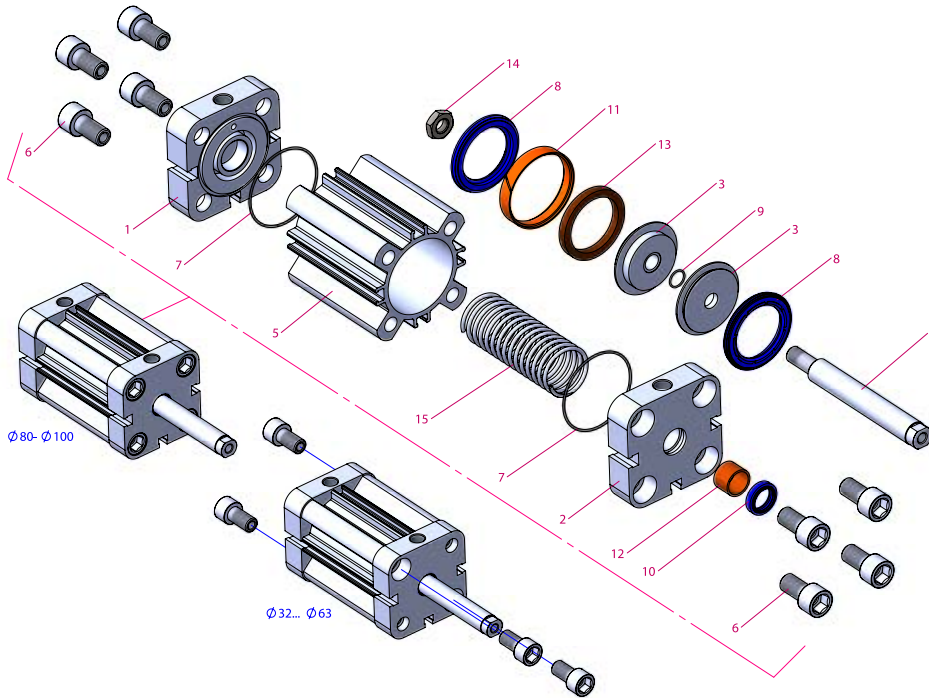
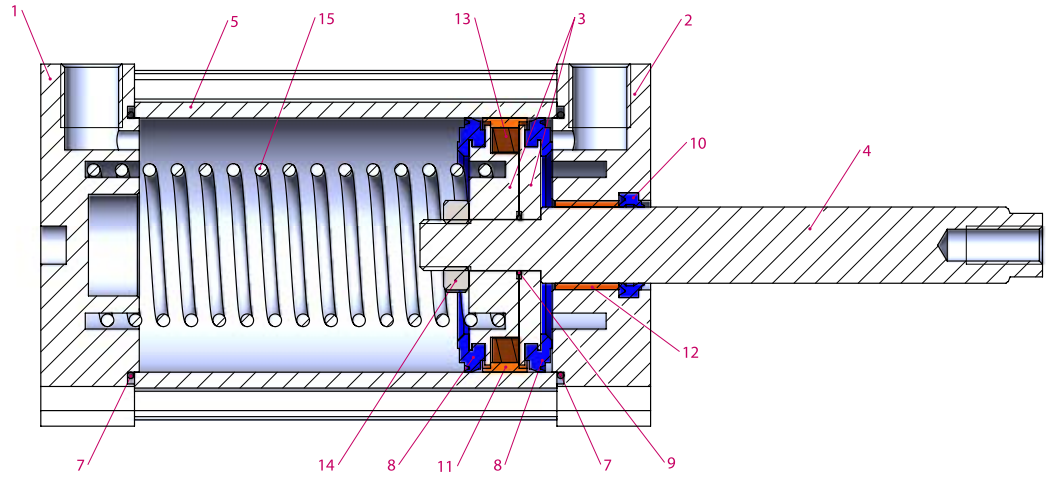
Operating Temperature Range:

Polyurethane (PU) : (-20°C) - (+80°C)

Viton (FKM) : (-30°C) - (+150°C)

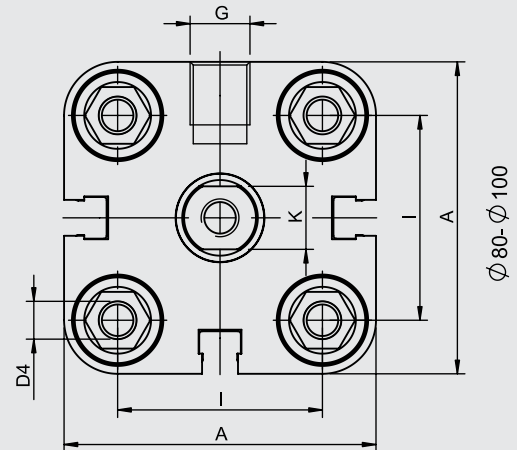
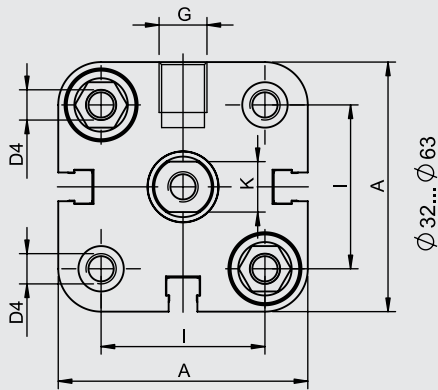
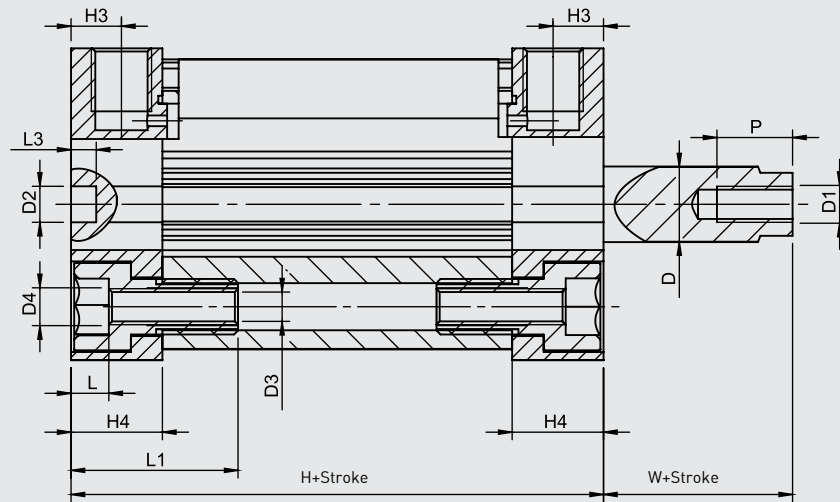
Maximum work pressure:

10 Bar

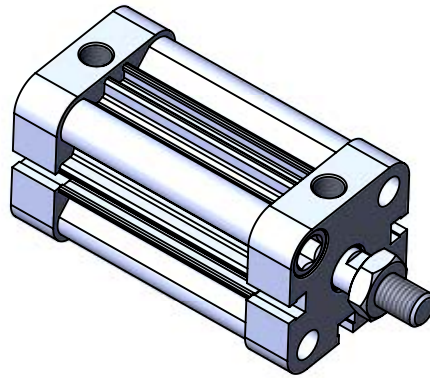


No	Material name	Characteristic	Pc.
1	Rear Head	Aluminium	1
2	Front Head	Aluminium	1
3	Middle Piston	Aluminium	2
4	Piston Rod	X20Cr13 Hard Chrome Plated	1
5	Tube	Al Mg Si 0,5 + Eloxal Plated	1
6	Bolt	SS 303	4-8
7	Head O-ring	NBR	2
8	Piston Seal	PU	2
9	Middle Piston O-ring	NBR	1
10	Rod Seal	PU	1

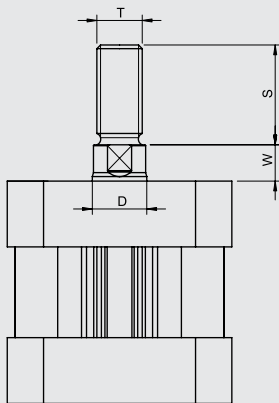
No	Material name	Characteristic	Pc.
11	Guiding Band	Polyacetal	1
12	Guiding Bush	CSB-40	1
13	Magnet		1
14	Nut	Galvanized Steel	1
15	Spring	Galvanized Steel	1



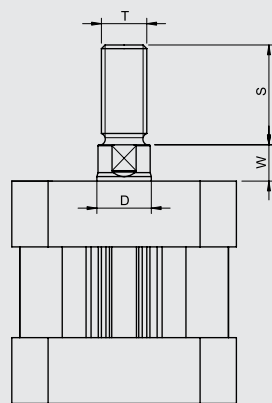
Cylinder Ø mm	A	D Ø	D1 Ø	D2 Ø	D3 Ø	D4 Ø	G	H	H3	H4	I	K	L	L1	L3	P	W
32	49.5	12	M8	6	5.2	M6	1/8"	44.5	7,5	14.5	32.5	10	6	26.5	4	12	7
40	57	12	M8	6	5.2	M6	1/8"	46	7,5	14.75	38	10	6	26.5	4	12	7
50	65.5	16	M10	6	6.8	M8	1/8"	46.5	7,5	14.75	46.5	13	7	30.5	4	16	8
63	79.5	16	M10	8	6.8	M8	1/8"	50	7,5	14.75	56.5	13	7	30.5	4	16	8
80	96	20	M12	8	8.5	M10	1/8"	56.5	8,25	16.5	72	17	8.7	38.5	4	20	10
100	116	20	M12	8	8.5	M10	1/8"	67	10	19.75	89	17	8.7	38.5	4	24	10



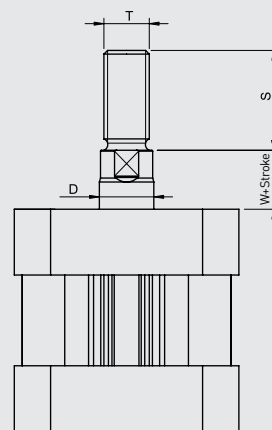
KC-T



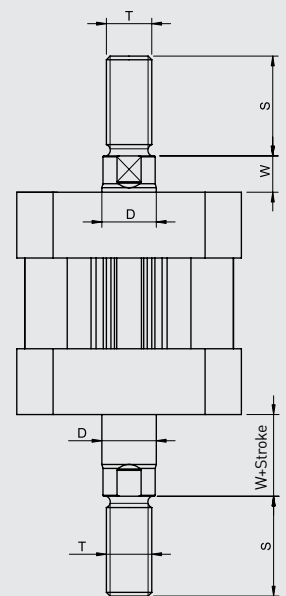
KCS-T



KCE-T



KCD-T



Cylinder type	Cylinder Ø mm	D	S	T	W
KC-KCS KCE-KCD	32	12	19	M10x1.25	7
	40	12	19	M10x1.25	7
	50	16	22	M12x1.25	8
	63	16	22	M12x1.25	8
	80	20	28	M16x1.5	10
	100	20	32	M16x1.5	10