

## Coupling Connection Remote Control Pulse Valve - PL1050 Series (G3/4", G1", G1 1/2")

### GENERAL FEATURES

- The pulse valves are especially used for dust collector service application or similar systems.
- Compact design, high reliability, flow rate, quality and performance; long life.
- Extremely fast opening and closing
- Working Temperature: -20°C ... 80°C
- On request; with electronic timer
- Some application; dust filters, bunkers, dust extractors, electrostatic painting cabinets.
- Pulse valves must be used with filtered fluids.

### MATERIALS IN CONTACT WITH FLUIDS

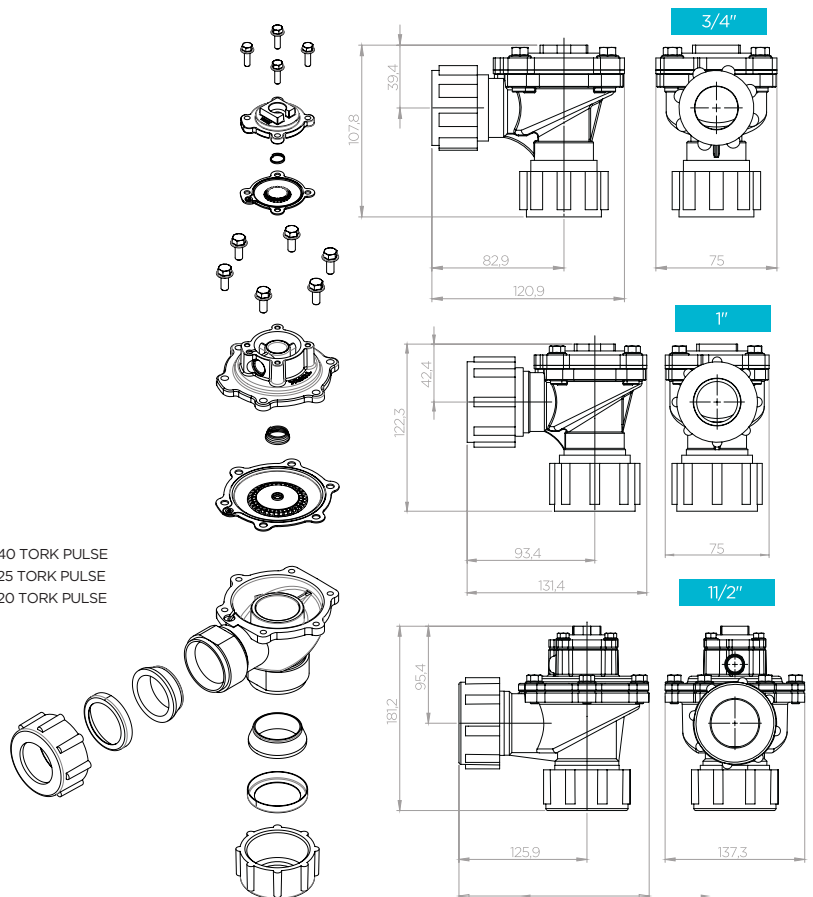
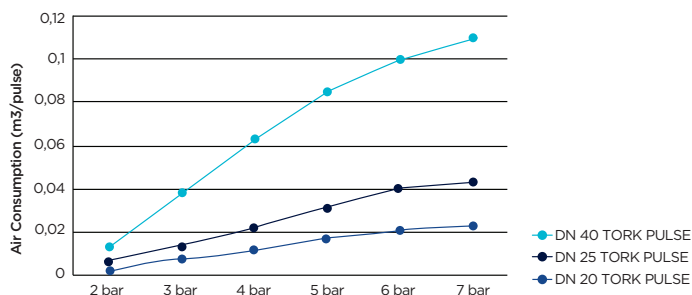
Body	: Aluminium
Internal Parts	: Stainless Steel and Brass
Sealing	: Thermoplastic
Shading Ring	: Copper
Seats	: Aluminium
Core, Tube	: Stainless Steel
Spring	: Stainless Steel

2/2 WAY

PILOT OPERATED



AIR



Valve Order No	Connection Size	Orifice Size	Pressure		KV	Fluid Temperature		Seal	Weight
			min	max		min	max		
PL 1050	G	mm	bar		lt/min	°C			(kg)
PL1050.04 - P	3/4" - 3/4"	20	0.5	8	150	-20	80	Thermoplastic	0.55
PL1050.05 - P	1" - 1"	25	0.5	8	270	-20	80	Thermoplastic	0.86
PL1050.07 - P	1 1/2" - 1 1/2"	44	0.5	8	774	-20	80	Thermoplastic	1.67

• TORK Pulse Valves comply with 97/23 / EC, Pressure Equipment Directive (PED) and Low Voltage Directive 2006/95 / EEC.  
 • Standard pipe connection GIBSP (ISO 228-1) is available on request. Other pipe connections can also be made on request. ((NPT) ANSI 1, 20, 31)